



Metco Inc.

Model SKIDSTEER SERIES
Agro Trend Snow Blower

Operator's Manual & Illustrated Parts List
623600

Issued November 2023

OPERATOR'S MANUAL



This symbol means ATTENTION! BECOME ALERT! YOUR SAFETY IS INVOLVED. The message that follows the symbol contains important information about your safety. Carefully read the message. Make sure you fully understand the causes of possible injury or death.

IF THIS MACHINE IS USED BY AN EMPLOYEE, IS LOANED, OR IS RENTED, MAKE SURE THAT THE OPERATOR UNDERSTANDS THE TWO INSTRUCTIONS BELOW.

BEFORE THE OPERATOR STARTS THE ENGINE:

GIVE INSTRUCTIONS TO THE OPERATOR ON SAFE AND CORRECT USE OF THE MACHINE.

MAKE SURE THE OPERATOR READS AND UNDERSTANDS THE OPERATOR'S MANUAL FOR THIS MACHINE.

 **WARNING**

IMPROPER OPERATION OF THIS MACHINE CAN CAUSE INJURY OR DEATH.

BEFORE STARTING THE ENGINE, DO THE FOLLOWING:

1. READ THE OPERATOR'S MANUAL.
2. READ ALL SAFETY DECALS ON THE MACHINE.
3. CLEAR THE AREA OF OTHER PERSONS.
4. LEARN AND PRACTICE SAFE USE OF MACHINE CONTROLS IN A SAFE AND CLEAR AREA BEFORE YOU OPERATE THIS MACHINE ON A JOB SITE.

It is your responsibility to observe pertinent laws and regulations and to follow manufacturer's instructions on machine operation and maintenance.

See your Authorized Metco Inc. dealer or Metco Inc. for additional operator's manuals, illustrated parts catalogs, and service manuals.

TO THE OWNER

Congratulations on the purchase of your new Metco Inc. Agro Trend Snow Blower. You have selected a top quality machine that is designed and built with pride to ensure you have many years of efficient and reliable service.

Many people have worked on the design, production, and delivery of this Agro Trend Snow Blower. The information in this manual is based on the knowledge, study, and experience through years of specializing in the manufacturing of farm machinery. This manual is designed to provide you with important information regarding safety, maintenance, and machine operation so you can and will get the best possible performance from your Agro Trend Snow Blower.

Even if you are an experienced operator of this or similar equipment, we ask that you read this manual before operating this Agro Trend Snow Blower. The way you operate, adjust, and maintain this unit will have much to do with its successful performance. Any further questions you may have about this product of Metco Inc. should be directed to your local Metco Inc. dealer or to Metco Inc. 1005 Tribe Road West Montrose, ON N0B 2V0, Canada, 1-519-669-2333.

SPECIFICATIONS AND DESIGN ARE SUBJECT TO CHANGE WITHOUT NOTICE

Metco Inc. is continually making product improvements. In doing so, we reserve the right to make changes and/or add improvements to our products without obligation for the equipment previously sold.

Modifications to this Agro Trend Snow Blower may affect the performance, function, and safety of its operation. Therefore, no modifications are to be made without the written permission of Metco Inc. Any modification made without the written permission of Metco Inc. shall void the warranty of this product.

In the interest of continued safe operation of this Agro Trend Snow Blower, pay particular attention to the safety alert symbol(s) throughout this manual.

Metco Inc. International STATEMENT OF PRODUCT LIABILITY

Metco Inc. recognizes its responsibility to provide customers with a safe and efficient product. Metco Inc., attempts to design and manufacture its products in accordance with all accepted engineering practices effective at the date of design. This statement should not be interpreted to mean that our products will protect against the user's own carelessness or failure to follow common safety practices nor will Metco Inc., be liable for any such act. In addition, Metco Inc., assumes no liability for any altered product or any modified product by users or anyone other than an authorized dealer.

IMPORTANT WARRANTY INFORMATION

The warranty for this Agro Trend Snow Blower appears on page 6 of this manual. In order to establish proper warranty registration, the Warranty Registration must be completed and returned to the factory. Failure to comply with this requirement may result in reduced warranty allowances.

LIMITATIONS OF THIS MANUAL

This manual contains operating instructions for your STANDARD 2000SS SERIES Agro Trend Snow Blower only. Any mention of other machinery in this manual other than the STANDARD 2000SS SERIES Agro Trend Snow Blower is for reference only. This manual does not replace nor is it to be used for any machinery that may be attached to or used in conjunction with the STANDARD 2000SS SERIES Agro Trend Snow Blower.

PARTS & SERVICE

As the purchaser of your new Blower, it is very important to consider the following factors:

A. Original Quality

B. Availability of Service Parts

C. Availability of Adequate Service Facilities

Metco Inc. has an excellent dealership network ready to answer any questions you may have about your Blower. Parts for your machine may be ordered through our dealers. When placing a parts order, please have the **model** and **serial number** ready. This will allow the dealer to fill your order as quickly as possible.

For your convenience, we have provided this space for you to record your model number, serial number, and the date of purchase, as well as your dealers name and address.



SERIAL NO.

MODEL NO.

TABLE OF CONTENTS

TO THE OWNER	1
SPECIFICATIONS AND DESIGN ARE SUBJECT TO CHANGE WITHOUT NOTICE	1
Metco Inc. STATEMENT OF PRODUCT LIABILITY	1
IMPORTANT WARRANTY INFORMATION	1
LIMITATIONS OF THIS MANUAL	1
PARTS & SERVICE	2
TABLE OF CONTENTS	3-5
LIMITED WARRANTY	6
SAFETY FIRST	7
NOTICES OF DANGER, WARNING, AND CAUTION	7
<u>Safety Instructions</u>	8
GENERAL	8
BEFORE OPERATING	9
DURING OPERATION	9
MAINTENANCE SAFETY	9
HYDRAULIC SAFETY	10
TRANSPORTATION SAFETY	10
STORAGE SAFETY	10
TIRE SAFETY	11
ASSEMBLY SAFETY	11

TABLE OF CONTENTS	
<u>NAME</u>	<u>PAGE</u>
~~~~~OPERATOR'S INSTRUCTIONS: SNOW BLOWER~~~~~	13
SAFETY PRECAUTIONS	14
PRE-SALE SERVICE, SETUP, OPERATION, & POST-SALE SERVICE	15
INSTALLATION INSTRUCTIONS	17
~~~~~ILLUSTRATED PARTS LIST: SNOW BLOWER~~~~~	19
BLOWER ASSEMBLY	20
BLOWER ASSEMBLY, CONTINUED	22
HYDRAULIC MOTOR ASSEMBLY	24
HYDRAULIC MANIFOLD ASSEMBLY	26
HYDRAULIC ASSEMBLY SCHEMATIC	28
ELECTRIC ASSEMBLY SCHEMATIC	31

WARRANTY POLICY

Warranty Coverage

Warranty covers all defects in workmanship or materials on your Agro Trend Mfg. equipment under normal use.

Warranty Period

The warranty coverage runs for 12 months from the date of purchase. The warranty applies only to the original owner and is not transferable to another party. The dealer must perform pre-delivery inspection prior to delivery or warranty shall be void.

How To Obtain

Customer will return his unit to his local dealer. If the dealer agrees with warranty, then he must notify Agro Trend Mfg. and receive pre-authorization. The dealer will then send the parts and proof of purchase within 21 days of authorization to Agro Trend Mfg. prepaid for inspection and final approval.

Not Covered By This Warranty

Agro Trend Mfg. will not assume any expense or liability for repairs made outside our plant without consent. We are not responsible for damage to any associated equipment or product and will not be liable for loss of profit or other special damages including personal injury.

The obligation of this warranty is in lieu of all other warranties, expressed or implied. Damages caused by normal wear and tear, misuse, abuse, neglect, accident or improper maintenance are not covered by this warranty.

Agro Trend Mfg. reserves the right to make changes in design and improvements upon its products without imposing any obligation upon itself to install the same upon its existing products, or products in the process of manufacture.

Terms & Conditions

Standard

Net 15 and 30 days from date of invoiced and subject to prior credit approval and arrangements. Interest at the rate of 2% per month will be charged on past due accounts.

Conditions

All goods are F.O.B. West Montrose Ontario

Returned Goods

No merchandise is to be returned without written authorization from Agro Trend Mfg. Returned goods with written authorization must be pre-paid and will be subject to a minimum 20% restocking charge.

01/26/2001

OFFICE:

1005 Tribe Road, West Montrose, ON Canada, 519-669-2333

SAFETY FIRST

SAFETY INSTRUCTIONS

“A careful operator is the best insurance against an accident.” Quote from the National Safety Council.

Most accidents can be prevented if the operator:

1. Fully understands how the machine functions.
2. Can anticipate situations which may produce problems.
3. Can make necessary corrections before problems develop.

**THIS SYMBOL MEANS ATTENTION!
BECOME ALERT!
YOUR SAFETY IS INVOLVED!**



- Universal Safety Alert Symbol

The American Society of Agricultural Engineers has adopted the Universal Safety Alert Symbol as a way to identify areas of potential danger if the equipment is not operated correctly. Please be alert whenever you see this symbol in the manuals or on your Blower.

Metco Inc. strives to make our equipment as safe as possible. The Metco Inc. STANDARD 2000SS SERIES Agro Trend Snow Blower conforms to applicable safety standards at the time of manufacturing. A safety conscious equipment operator makes an effective accident-prevention program complete.

Safety features and instructions for the Blower are detailed in the Safety Guidelines section of this Operator's Manual. It is the responsibility of the owner to ensure that all operators read and understand the manual before they are allowed to operate the Snow Blower. (Occupational Safety and Health Administration (OSHA) regulations 1928.57).

NOTICES OF DANGER, WARNING, AND CAUTION

Signal Words: Note the use of signal words **DANGER**, **WARNING**, and **CAUTION** on the Blower and in this manual. The appropriate signal word for each has been selected using the following guidelines:

! DANGER

Indicates a hazardous situation which, if not avoided, will result in death or serious injury.

! WARNING

Indicates a hazardous situation which, if not avoided, could result in death or serious injury.

! CAUTION

Indicates a potentially hazardous situation which, if not avoided, could result in minor or moderate injury.

NOTICE

NOTICE is used to address practices not related to physical injury.

SAFETY INSTRUCTIONS

Safety instructions (or equivalent) signs indicate specific safety-related instructions or procedures.

Note: Contains additional information important to a procedure and will be found within the regular text body of this manual.

GENERAL

SAFETY INSTRUCTIONS

Most work related accidents are caused by failure to observe basic safety rules or precautions. An accident can often be avoided by recognizing potentially hazardous situations before an accident occurs. As you operate and maintain the Snow Blower you must be alert to potential hazards. You should also have the necessary training, skills, and tools to perform any assembly procedure.

Improper operation and/or maintenance of this unit could cause a dangerous situation that results in injury or death.

Do not use this unit until you read and understand the information contained in this manual. Do not use this equipment for anything other than its intended purpose.



Safety precautions and warnings are provided in this manual and on the unit. If these hazard warnings are not heeded, bodily injury or death could occur to you or to other persons.

Metco Inc. cannot anticipate every possible circumstance that might involve a potential hazard. The warnings in this manual and on the product are, therefore, not all-inclusive. If a method of operation not specifically recommended by us is used, you must satisfy yourself that it is safe for you and for others. You should also ensure that the unit will not be damaged or be made unsafe by the methods that you choose.

The information, specifications, and illustrations in this manual are based on the information that was available at the time this material was written and can change at any time.

Safety Alert Symbols



death.

This is the safety alert symbol. It is used to alert you to potential personal injury hazards. Obey all safety messages that follow this symbol to avoid possible injury or

This manual contains DANGERS, WARNINGS, CAUTIONS, NOTICES, SAFETY INSTRUCTIONS, and NOTES which must be followed to prevent the possibility of improper service, damage to the equipment, personal injury, or death. The following key words call the readers attention to potential hazards.

Hazards are identified by the “Safety Alert Symbol” and followed by a signal word such as “DANGER”, “WARNING”, or “CAUTION”.

**SAFETY
INSTRUCTIONS**

Remember:
“The Best Operator is a Safe Operator”

CAUTION



Read and understand the operator’s manual and all the safety decals before operating the Blower. Review all safety instructions with all operators annually.

BEFORE OPERATING

SAFETY
INSTRUCTIONS

Do not wear loose fitting clothing as it may catch in moving parts.



Make sure all guards and shields are installed, including the tractor power take-off (PTO) master shield, before starting or operating the Blower.



Be sure that the correct implement driveline parts are used and that they are properly secured.

Lower the lifter wheels when the Blower is not in use.

Install safety chain when attaching the Blower to the tractor.



Clear the area of bystanders, especially children, when making repairs, adjustments, or performing maintenance on the Blower.



Do not allow riders.

Put all tractor and machine controls in “neutral” and disengage the PTO before starting. Follow the starting instructions according to the OEM tractor manual.



Operate the Blower only while seated on the tractor seat.



Make sure the unit is adequately supported with safety blocks or safety stands when changing tires or performing maintenance.

DURING OPERATION

CAUTION



Entanglement Hazard
Keep hands, feet, hair, and clothing away from moving parts. Wait for all movement to stop before approaching equipment. Before making adjustments:

1. Shut off the tractor,
2. Set parking brake,
3. Put machine in neutral, and
4. Remove key while making adjustments.



Keep all shields and guards in place and in good working condition.



Keep all bystanders, especially children, away from the Blower while in operation.



Do not allow riders while the Blower is in operation.



Do not attempt to unclog, clean, or adjust the Blower while it is running.



Stay away from overhead power lines. Electrocutation can occur even without direct contact.



Keep all hydraulic lines, fittings, and couplers tight and free of leaks. (Refer to Safety Guidelines – Hydraulic Safety).



Use caution when ascending or descending on the Blower. Wet shoes or boots are slippery.

MAINTENANCE SAFETY

SAFETY
INSTRUCTIONS

Follow all operating, maintenance, and safety instructions found in this Manual.



Before servicing, adjusting, repairing, or unclogging the machine, always make sure the tractor engine is stopped, key in your pocket, the machine is lowered to the ground, all controls are placed in neutral, the parking brake is set, and all the moving parts have stopped.



Use sufficient tools, jacks, and hoists that have the capacity for the job.



Use support blocks or safety stands when changing tires or performing maintenance.



Follow good shop practices of keeping the service area clean and dry, and use adequate light for the job at hand.



Before applying pressure to the hydraulic system, make sure all lines, fittings, and couplers are tightly secured and in good condition.



Make sure all shields/guards are in place and properly secured when performing maintenance.

HYDRAULIC SAFETY

**SAFETY
INSTRUCTIONS**

Follow all operating, maintenance, and safety instructions found in this Manual.

Make sure components in the hydraulic system are kept clean and in good working condition.



Relieve pressure from the hydraulic system before servicing or disconnecting from the tractor.



Keep all hydraulic lines, fittings, and couplers tightly secured and free of leaks.



Replace any worn, cut, abraded, flattened, or crimped hoses.



Do not make any temporary repairs to the hydraulic lines, fittings, or hoses using tape, clamps, or cement. The hydraulic system operates under extremely high pressure and temporary repairs may fail suddenly and create a hazardous/dangerous situation.



Wear proper hand and eye protection when searching for a high-pressure hydraulic leak. Use a piece of wood or cardboard as a backstop instead of hands to identify and isolate a leak. If injured by a concentrated high-pressure stream of hydraulic fluid, seek medical attention immediately. Serious infection or toxic reaction can develop if hydraulic fluid penetrates the surface of the skin.



Before applying pressure to the system, make sure all components are tight and that the hydraulic lines, hoses, and couplings are not damaged.

TRANSPORTATION SAFETY

**SAFETY
INSTRUCTIONS**

Follow all operating and safety instructions found in this manual when transporting this equipment.

Make sure the Blower complies with all local regulations regarding transporting equipment on public roads and highways.



Make sure the Slow Moving Vehicle (SMV) emblem and all lights and reflectors required by local highway and transportation authorities are properly in place, clean, and clearly visible to traffic.



Do not allow riders on any machinery during transport.

Make sure the Blower is securely attached to the tractor and install a safety chain to the Blower.

Make sure the tractor brake pedals are latched together.

Do not exceed 20 mph (32 km/h) when transporting the Blower. Always reduce speed on rough roads and surfaces, or when going down inclines.

Use caution when turning and always use the turn signals on the tractor to indicate your turning intentions to the other traffic.

The weight of the trailed machine should NEVER exceed the weight of the towing vehicle.

Check all clearances carefully whenever the machine is towed.

Lower the elevator into the transport position before transporting the Blower on the highway.



Stay away from overhead obstructions and power lines during transport. Electrocutation can occur even without direct contact.

STORAGE SAFETY

**SAFETY
INSTRUCTIONS**

Follow all operating and safety instructions found in this manual when storing this equipment.



Store the Blower in an area away from human activity.



Do not permit children to play on or around the stored machine at any time.

Make sure that the Blower is stored in an area with a firm and level base to prevent the machine from tipping or sinking into the ground.



Block the wheels to prevent the machine from rolling.

TIRE SAFETY**SAFETY
INSTRUCTIONS**

Follow all operating and safety instructions found in this manual when working around tires.

Have only a qualified tire dealer or tire repair service perform tire repairs.

Do not attempt to install a tire on a wheel or rim unless you have the proper equipment and experience to do the job.

Do not substitute tires with a lesser road rating and/or capacity for the original equipment tires.

WARNING

Explosive Force Hazard
Tire replacement, repair, and/or maintenance should be done by a qualified tire dealer or qualified repair service.

Failure to follow proper procedures when installing a tire on a wheel or rim can produce an explosive force that will result in serious injury or death.

Do not attempt to install a tire without proper equipment and experience to perform the job.

ASSEMBLY SAFETY**SAFETY
INSTRUCTIONS**

Follow all assembly, operating, and safety instructions found in this manual when assembly this equipment.



Use adequate manpower to perform assembly procedures safely.

Assemble the Blower in an area with sufficient space to maneuver the largest components and allow easy access to all sides of the machine.



Use only forklifts, lift cranes, jacks, and tools with sufficient capacity for the loads.



Do not allow spectators, especially children, in the working area.

**THIS PAGE
LEFT
INTENTIONALLY
BLANK**

OPERATOR'S INSTRUCTIONS: SNOW BLOWER

SAFETY PRECAUTIONS

1. Be sure all exposed moving parts such as shafts and adapters are properly guarded and that all coupling devices are securely attached before applying power. Do not use unless all shields are in place.
2. Do not wear loose fitting clothing in the vicinity of any moving parts.
3. Do not exceed recommended ground speed, recommended hydraulic GPM, or recommended horsepower for the unit which you are using.
4. Keep all persons, pets, and livestock away from unit when in use.
5. Do not turn discharge chute towards persons, pets, livestock, or buildings when blower is in operation.
6. Before working on, servicing, or making adjustments to equipment, disengage power, lower unit to ground level, shut off engine, make sure all moving parts have stopped and all pressure in the hydraulic system is relieved.

7. Do not attempt to remove any obstruction from discharge chute until hydraulics are shut down and engine is shut off.
8. Do not stand on auger to service any part of blower, as auger may turn causing either, a serious fall; or, the blower fan to rotate, presenting a danger to fingers, hands, or arms in the chute assembly or blower housing.
9. Keep hands and arms away from cables and turner bar of hydraulic hood turner until engine is shut off.
10. Always look to the rear before backing up.
11. Be aware of the presence of people and objects that may be obscured from vision by blowing or drifted snow. Be certain that no children have tunneled into snowbanks which are to be removed. Never let children slide down snowbanks in the vicinity of an operating blower.



Color: Red
Location: Blower Side

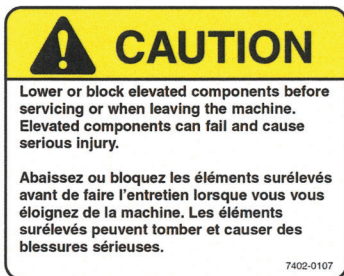
Stones or other objects may be thrown great distances by the auger, especially at higher RPMs. Do not stand in front of the blower when it is in operation.

Any debris or stones which are swept into the fan can be thrown great distances. Do not allow any bystanders

to stand in the path of the discharge chute.

Shields are supplied for your protection. Do not remove shields and do not operate the machine unless all shields are in place.

Do not service, adjust, or repair, until the PTO has been disengaged, the motor shut off, the unit lowered to the ground, and all parts have stopped moving. Any moving part has the possibility of entangling the operator or his clothing, and causing serious injury, dismemberment, or death.



Color: Yellow
Location: Blower Back

Do not service, adjust or repair any equipment attached to the three-point hitch hydraulics, without lowering the unit to the ground. If work must be performed underneath the unit, block the unit in a raised position.



Color: Orange
Location: Blower Back

Do not attempt any servicing of the blower while the tractor engine is running. If the tractor PTO is accidentally engaged the serviceman could become entangled in moving parts and be seriously injured or killed. Be certain. Be safe. Shut off the engine.



Color: Yellow
Location: Blower Back

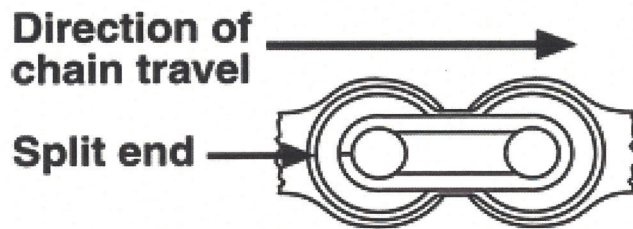
Every effort is made to ensure that a well constructed high quality product leaves the manufacturer. Again the dealer inspects and services each unit before it leaves his lot. To keep your blower in

good operating condition, please inspect and retighten as necessary any loose nuts or studs after a half hour break in period. Thereafter periodic checks will ensure that your blower remains in top working condition.

PRE-SALE SERVICE, SETUP, OPERATION, & POST-SALE SERVICE

PRE-SALE SERVICE & SETUP OF BLOWERS

1. Turn hood to point directly behind the blower. (Skid Steer side)
2. Lift hood assembly off and spread a light coat of grease on outside of blower mainframe pipe.
3. Replace hood assembly.
4. Install hydraulic hood tuner as per instructions. (Also see Illustrated Parts Lists)
5. Grease auger bearings and hydraulic hood turner.
6. Check all bolts for tightness.
7. Check auger drive chain tension and alignment. 1/4"-3/8" of deflection at the longest span. Adjust if necessary.
8. Lubricate auger drive chain with light engine oil (10wt) or aerosol chain lube.
9. The split end of the chain clip must face the direction opposite of the chain travel. Make sure the clip is properly seated in the groove on the ends of the pin.



10. Check auger drive chain tension and alignment. 1/4"-3/8" of deflection at the longest span. Adjust if necessary.

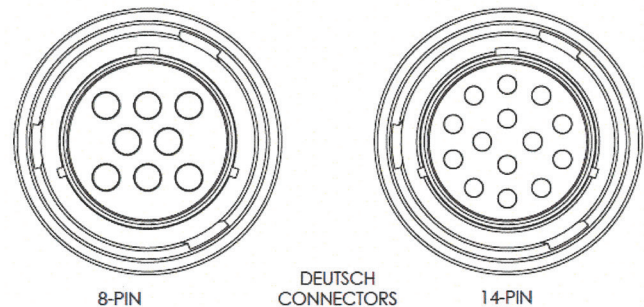
PROCEDURE TO MOUNT THE HYDRAULIC TURNER

1. Place the orbital motor (5401-1060) through the bracket (4035-15) so that the shaft of the motor is towards the gusset of the bracket and the ports are upward. Bolt in place using 3/8 x 1 bolts and 3/8 lock washers.
2. Turn the shaft so that the keyway is at the 2 o'clock position (when facing the end of the shaft).
3. Place the sprocket on the top of the gear plate on the hood with the set screws away from the hood and the keyway at the 10 o'clock position (when facing the end of the sprocket).
4. Put the shaft of the orbital motor into the sprocket, with the key stock in place. This will require placing the support for the gear underneath the gear.

5. Now position the bracket to bolt it to the turner mounting plate and bolt in place using 3/8 x 1 1/4 bolts and 3/8 lock nuts.
6. Now set the sprocket so that it is in the centre of the holes, looking from the closest edge to the hood and the farthest edge from the hood. Tighten the set screws on the sprocket.
7. Now take the hydraulic fittings and hoses and attach them to the orbital motor.
8. Place the shield on the top of the bracket and attach it using the 1/4 x 3/4 bolts, 1/4 lock washers and 1/4 nuts.

CONNECTING TO SKID STEER

1. Make sure the hydraulic package of the blower is properly matched to skid steer. Failure to do so will void warranty.
2. Select the proper electrical connection for the skid steer. (8 or 14 pin, universal) When using the 8 or 14 pin Deutsch connectors refer to the skid steer auxiliary output schematic for the proper pin installation location. The universal harness consists of just a harness with no connector, which allows direct wiring to any switch or toggle of the customers choosing.



3. When attaching the blower to the skid steer using quick attaching plate, make sure that locking pins are fully engaged before using blower.

NOTE: Do not lift boom/blower while cab door is open or ajar. This may cause damage to skid steer door and/or cab.

4. Connect the two blower hydraulic hoses to the skid steer hydraulic outputs. Verify the outputs are the proper rated GPM outputs for the blower.
5. Connect the skid steer electrical connector to the skid steer auxiliary electrical output plug. Do not force connectors, make sure notches are aligned.

OPERATION

1. When attaching the blower make certain all guards are in place.
2. Use proper pins and ensure all connections are secure.
3. Engage the hydraulics at low engine RPM, and test the hood turner and deflector functions. Be aware of surrounding when testing functions of blower.

NOTE: Hood turner and deflector will only move when the hydraulics are turned on and electric current is present at solenoids.

4. Slowly increase speed to operating level. Operating speed will vary with snow, weather, and ground conditions.
5. Adjust the tilt of the blower to match the ground and snow conditions. Increasing the tilt down at front of blower will cause the blower to cut deeper into compact snow, but may also cause the blower to scrape gravel or stones into the fan, which can be a danger to nearby persons, pets, livestock or buildings. Decreasing the tilt at the front of the blower causes the blower to ride back on the skid shoes, raising the height, thereby reducing the possibility of scraping gravel or stones into the blower fan.
6. Once the tilt of blower is set, use the lift/lower functions of skid steer to control how the blower follows the contour of the land. Using the float function, if equipped, of the skid steer will also allow for more consistent contact with land.
7. Adjust the deflector with the hydraulic deflector cylinder using the pre-set toggle/switch to the desired angle of discharge to maintain proper distance from persons or property.
8. Be aware of the presence of people and objects that may be obscured from the vision by blowing or drifting snow. Be certain that no children have tunneled into snowbanks which are to be removed. Never let children slide down snowbanks in the vicinity of an operating blower.

SERVICE

1. Before servicing or adjusting, disengage the hydraulics, lower the unit to the ground, and shut off engine.
2. Grease the hydraulic hood turner every five hours of operation.
3. Grease the auger bearings every ten hours of operation.
4. Check all hydraulic couplings/connections for leaks every day of operation and tighten if needed.

5. Check the hydraulic fluid reservoir on skid steer every day of operation and maintain manufacture's specified type and amount.

DISCONNECTING FROM SKID STEER AND STORAGE

1. Position blower on a firm flat surface to keep blower from moving or becoming unstable when not in service.
2. Disconnect the two hydraulic hoses and the electrical plug from skid steer, if equipped. If using a universal harness wired inside the cab of skid steer, make sure to remove from cab before the next step.
3. Disengage the locking pins from the skid steer mount and slowly back away from blower. Make sure to be aware of all surrounding individuals, pets, and property when backing away from blower.

NOTE: Do not lift boom/blower while cab door is open or ajar. This may cause damage to skid steer door and/or cab.

4. If blower does not feel stable or if on uneven ground, place blocks under the mounting plate of blower to help stabilize while not in service or during off season storage.

INSTALLATION INSTRUCTIONS

A proper initial installation will give you years of satisfactory service on your equipment. Please read carefully following instructions which have been specially made to help you and make you satisfied with your purchase.

WARNING:

Unfortunately, snowblowers will be faced with forgotten or hidden objects under the snow, such as: chain, tires, stones, pieces of wood, etc.... In spite of all our efforts, machines are not built to resist all those conditions.

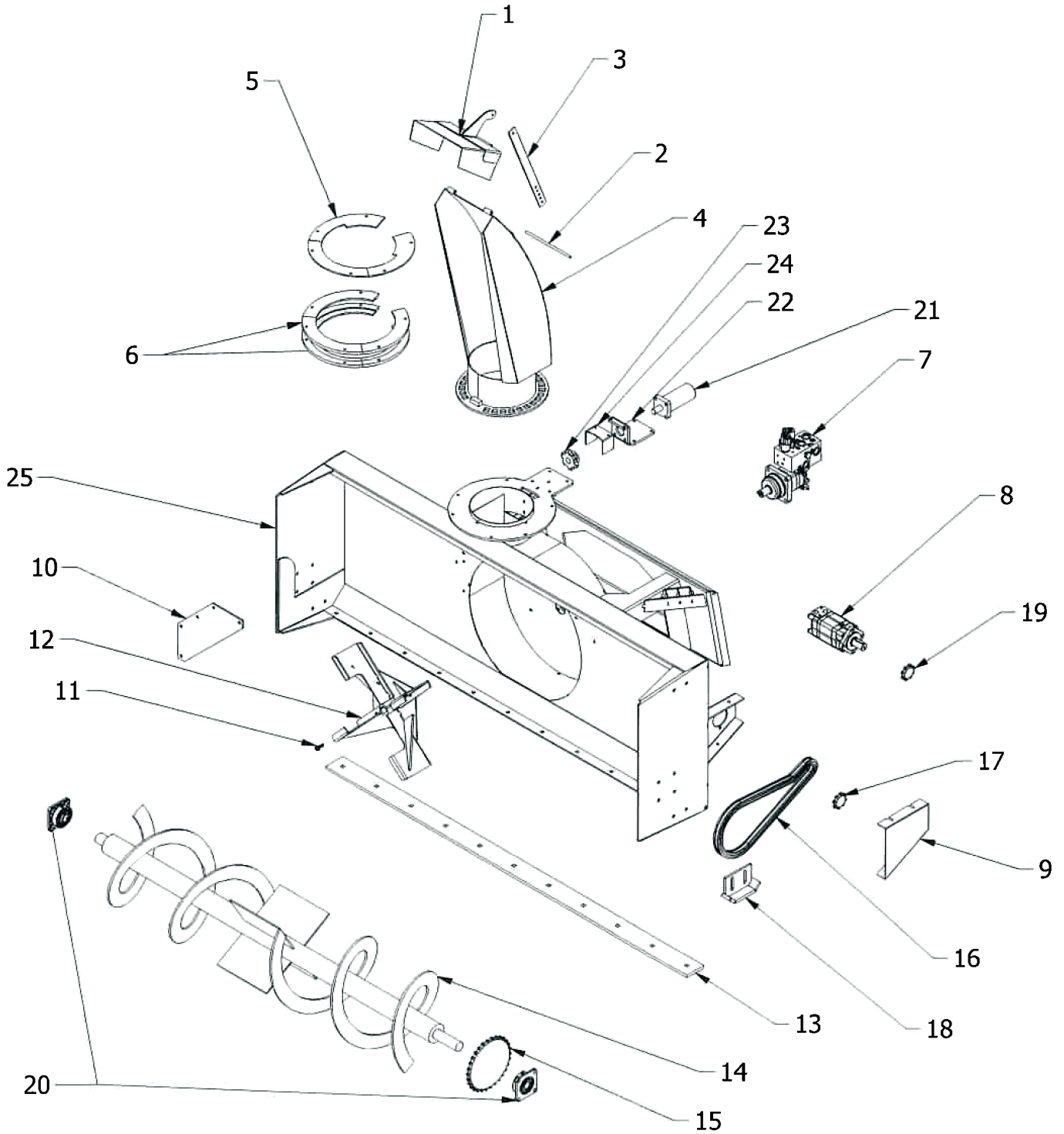
WARNING:

The hydraulic fan motor shafts are made with special alloy steel. Moreover, they are case hardened to increase capacity to shock load. These shafts cannot be broken under normal snow loads. However, undesirable objects may enter the fan and either bend or break the hydraulic fan motor shaft. It is understood that hydraulic fan motor cannot be built to resist every possible overload, and consequently, hydraulic fan motor shafts will not be replaced under warranty. Therefore, the user of the snowblower must be very careful.

**THIS PAGE
LEFT
INTENTIONALLY
BLANK**

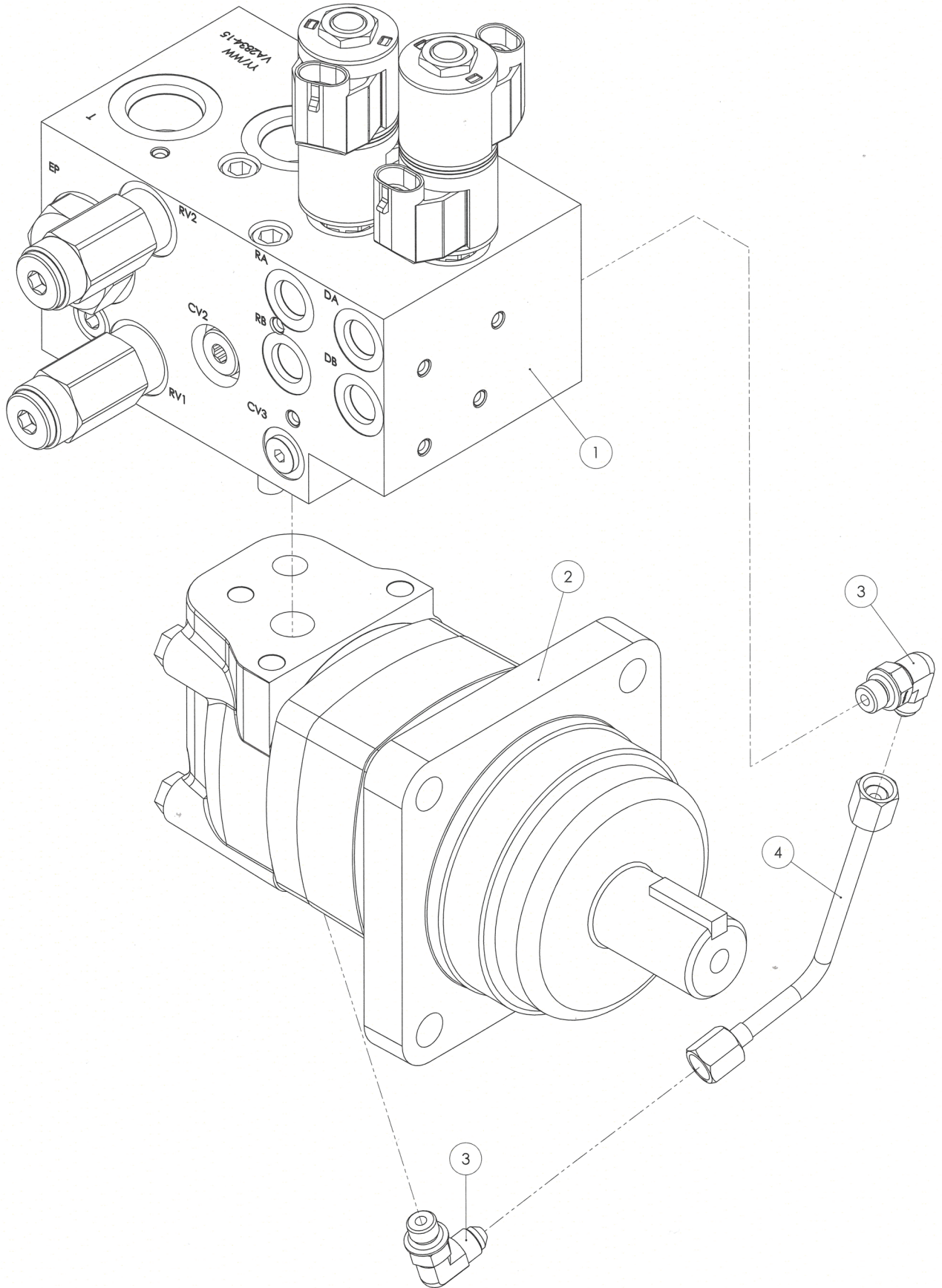
ILLUSTRATED PARTS LIST: SNOW BLOWER

SKIDSTEER BLOWER ASSEMBLY



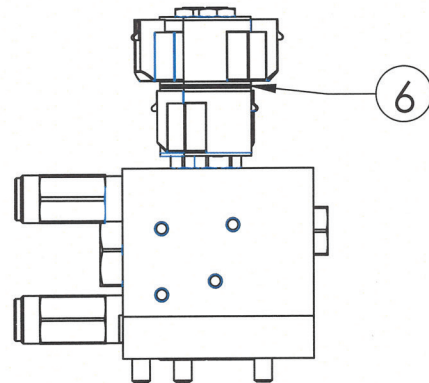
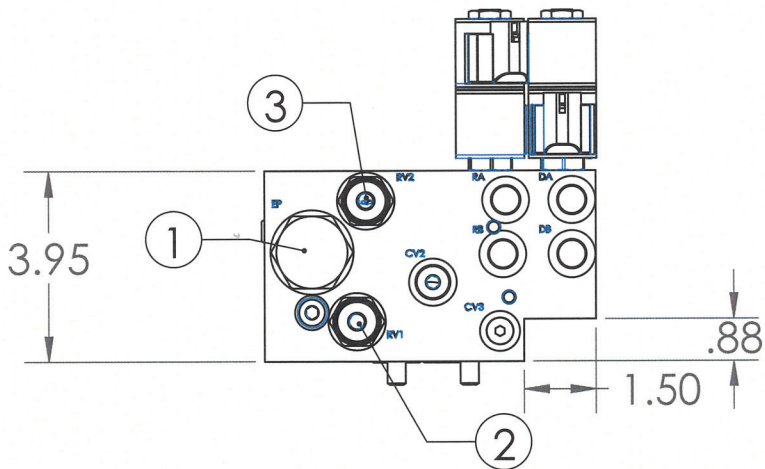
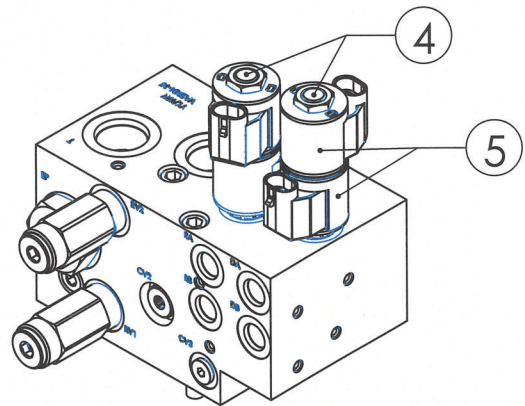
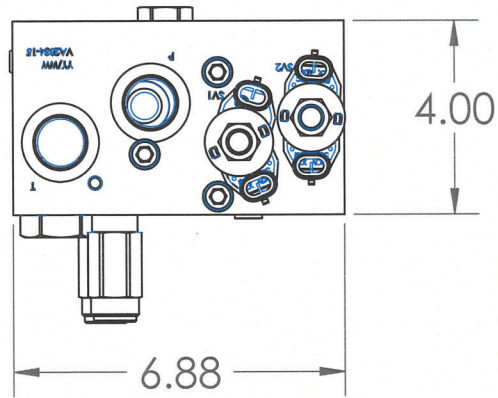
ITEM	DESCRIPTION	PART NUMBER		
		MODEL 2066	MODEL 2072	MODEL 3084
1	Deflector	4020.21	4020.21	4020.31
2	Chute Pin	4020.23	4020.23	4020.33
3	Deflector Cylinder	4232.12	4232.12	4232.13
4	Hood	4020.20	4020.20	4020.30
5	Hood Mount Ring	4020.24	4020.24	4020.34
6	Hood Rotation UHMW Strips	4020.25	4020.25	4020.35
7	Fan Drive Motor	617780	617780	617780
		615230	615230	615230
		617800	617800	617800
		617820	617820	617820
8	Auger Drive Motor	617810	617810	617810
		576240	576240	576240
		615200	615200	615200
		617830	617830	617830
9	Driveline Shield	615255	615255	615255
10	Snow Guide Plate	4020.27	4020.27	4020.37
11	Fan Mount Bolt	5/16 x 1½	5/16 x 1½	5/16 x 1½
12	Blower Fan	4017.20	4017.20	4017.30
13	Snow Cut Edge	3550.66	3550.72	3550.84
14	Auger	4005.14	4005.16	4005.20
15	Auger Drive Sprocket Big	5401.0602	5401.0602	5401.0602
16	Auger Drive Chain	#60	#60	#60H
17	Chain Tentioner Sprocket	5401.0402	5401.0402	5401.0402
18	Snow Shoe	4235.64	4235.64	4235.61
19	Auger Drive Sprocket Small	276520	276520	276520
20	Auger Bearing	5415.0207	5415.0207	5415.0207
21	Hood Rotation Motor	5401.1060	5401.1060	5401.1060
22	Hood Rotation Motor Mount Plate	4035.20	4035.20	4035.20
23	Hood Rotation Drive Sprocket	5401.1057	5401.1057	5401.1057
24	Hood Rotation Motor Cover	4035.60	4035.60	4035.60
25	Blower Housing	617510	617500	617490

HYDRAULIC MOTOR ASSEMBLY



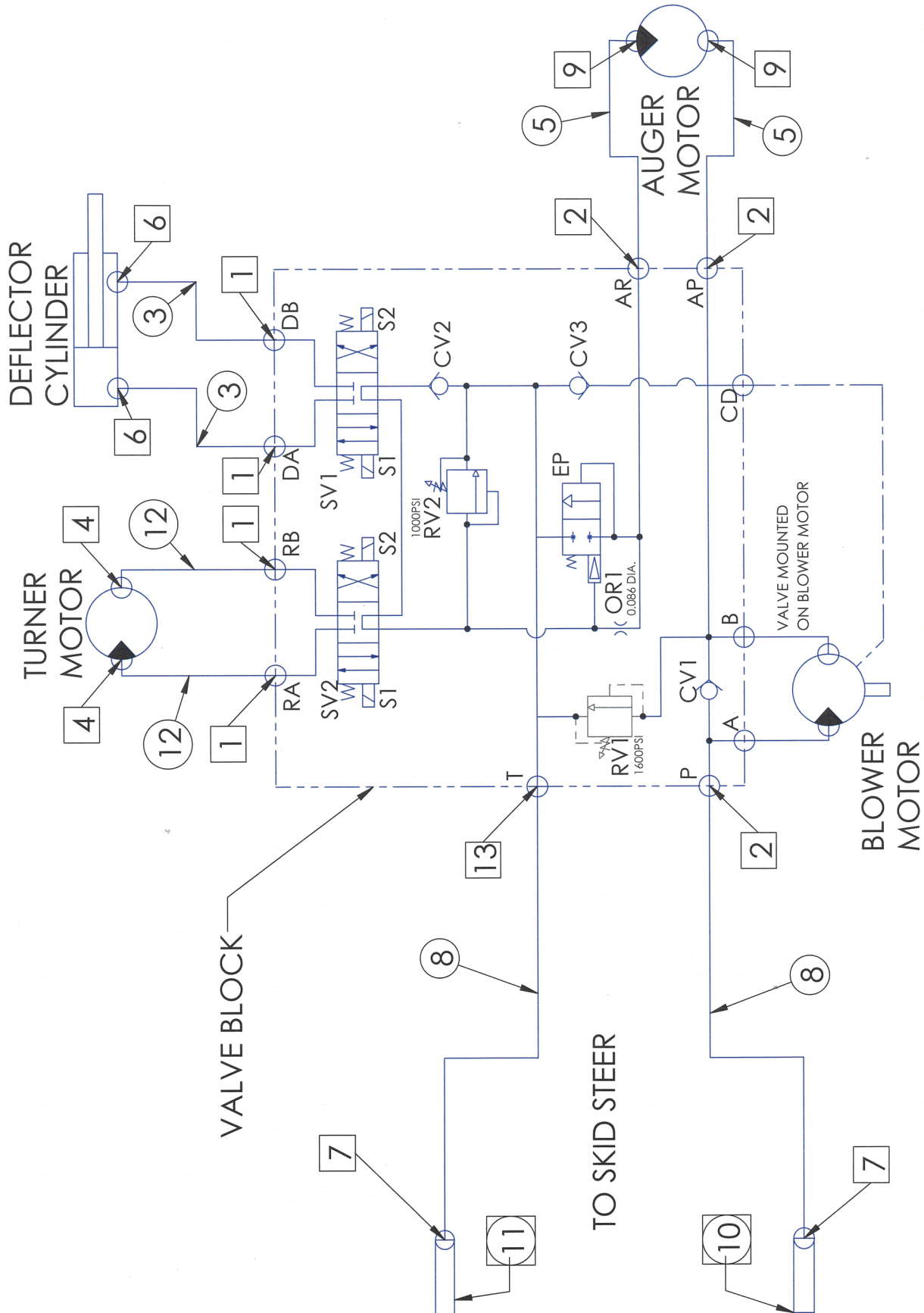
<u>ITEM</u>	<u>PART NUMBER</u>	<u>DESCRIPTION</u>	<u>QTY.</u>
1	615220	VALVE BLOCK, HYD	1
2	617770	MOTOR, HYD (15-19.9GPM)	-
2	615210	MOTOR, HYD (20-24.9GPM)	-
2	617790	MOTOR, HYD (25-30GPM)	-
3	HT53-25-0404	FITTING, 90 HYD	2
4	613330	FITTING, HYD TUBE	1

HYDRAULIC MANIFOLD ASSEMBLY



<u>ITEM</u>	<u>PART NUMBER</u>	<u>DESCRIPTION</u>	<u>QTY.</u>
1	617710	#16 SPILOT SPOOL	1
2	617720	#10 RELIEF VALVE	1
3	617730	#8 RELIEF VALVE	1
4	617740	#8 SPOOL	2
5	617750	#8 E-COIL	4
6	617760	#8 COIL SPACER	2

HYDRAULIC ASSEMBLY SCHEMATIC



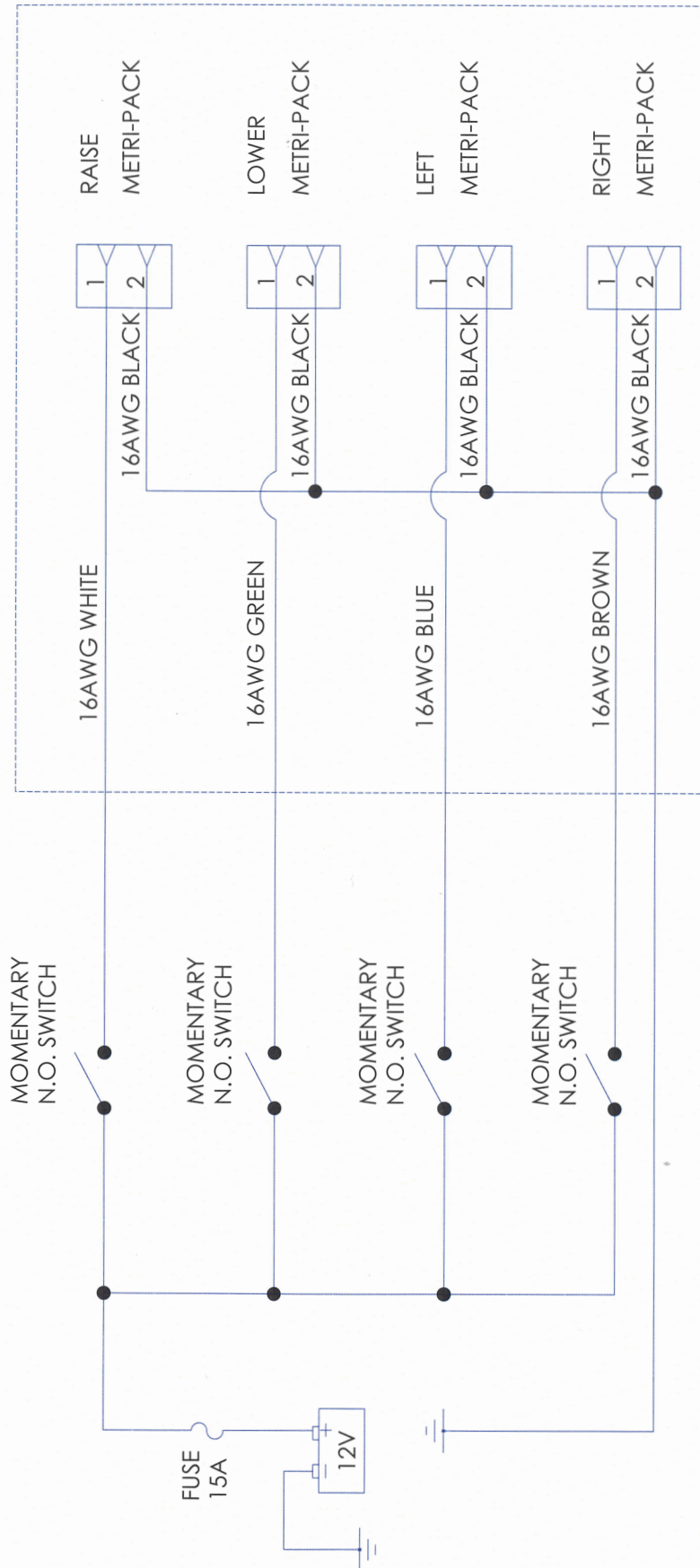
<u>ITEM</u>	<u>PART NUMBER</u>	<u>DESCRIPTION</u>	<u>QTY.</u>
1	530240	FITTING, STR -6JIC X -6MORB	4
2	551510	FITTING, ELBOW -12JIC X -12MORB	3
3	553030	HOSE, -6 HYD 68"	2
4	553390	FITTING, STR -6JIC X -10MORB	2
5	585360	HOSE, -12 HYD 30"	2
6	601050	FITTING, ELBOW 1/4MNPT X -6JIC	2
7	601060	FITTING, ADPT -12JIC X 1/2MNPT	2
8	603900	HOSE, -12 HYD 57"	2
9	605820	FITTING, STR -12JIC X -10MORB	2
10	617690	COUPLER, MALE FF 1/2NPT	1
11	617700	COUPLER, FEMALE FF 1/2NPT	1
12	617850	HOSE, -6 HYD 22"	2
13	MP09.74127	FITTING, STR -12JIC X -12MORB	1

**THIS PAGE
LEFT
INTENTIONALLY
BLANK**

ELECTRIC ASSEMBLY SCHEMATIC

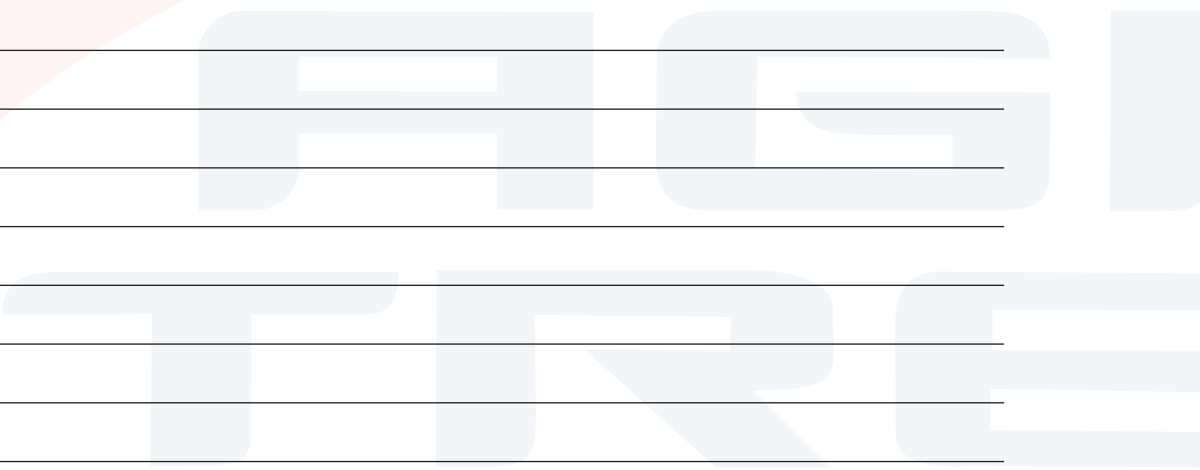
UNIVERSAL HARNESS

SUGGESTED HARDWARE AND DIAGRAM



NOTES:

Lined writing area for notes.





Metco Inc. TECHNICAL MANUALS

Manuals are available from your local dealer or Metco Inc. for the operation, service, and repair of your machine. For prompt convenient service, contact your local dealer for assistance in obtaining the manuals for your machine.

Your local dealer can expedite your order for operator manuals, illustrated parts catalogs, service manuals, and maintenance records.

Always give the Machine Name, Model, and Serial Number so your local dealer can provide the correct manuals for your machine

Metco Inc. reserves the right to make improvements in design or changes in specifications at any time without incurring any obligation to install them on units previously sold.

Except as expressly authorized, no part of this manual may be reproduced, copied, transmitted, disseminated, downloaded or stored in any storage medium, for any purpose without the express prior written consent of Metco Inc.

METCO INC.
1005 Tribe Road
West Montrose, ON, Canada
N0B 2V0